

| PRIMED OPTIMA/ ULTRASOFT (cylindrical) Ø 105° | | | | | |
|--|------------------|------------------|----------------------------------|-----------|-----------|
| Size | ID _{oc} | ID _{ic} | OD ₁ /OD ₂ | Length Ln | Length LB |
| 6 | 6,0 | 4,4 | 9,2 9,2 | 64,5 | 73 |
| 6 | 6,0 | 4,4 | 9,2 9,2 | 64,5 | 73 |
| 7 | 7,0 | 5,4 | 10,5 10,5 | 70,0 | 79 |
| 7 | 7,0 | 5,4 | 10,5 10,5 | 70,0 | 79 |
| 8 | 8,0 | 6,4 | 11,6 11,6 | 75,5 | 87 |
| 8 | 8,0 | 6,4 | 11,6 11,6 | 75,5 | 87 |
| 9 | 9,0 | 7,4 | 12,6 12,6 | 81,0 | 93 |
| 10 | 10,0 | 8,4 | 13,6 13,6 | 87,5 | 100 |
| 10 | 10,0 | 8,4 | 13,6 13,6 | 87,5 | 100 |

| SMITH MEDICAL PORTEX BLUE LINE ULTRA/ SUCTIONAID (cylindrical) Ø 105° | | | | | |
|--|------------------|------------------|----------------------------------|-----------|-----------|
| Size | ID _{oc} | ID _{ic} | OD ₁ /OD ₂ | Length Ln | Length LB |
| 6 | 6,0 | 5,0 | 9,2 9,2 | 64,5 | |
| 6 | 6,0 | 5,0 | 9,2 9,2 | 64,5 | |
| 7 | 7,0 | 6,0 | 10,5 10,5 | 70,0 | |
| 7 | 7,0 | 6,0 | 10,5 10,5 | 70,0 | |
| 7,5 | 7,5 | 6,5 | 11,3 11,3 | 73,0 | |
| 8 | 8,0 | 7,0 | 11,9 11,9 | 75,5 | |
| 8 | 8,0 | 7,0 | 11,9 11,9 | 75,5 | |
| 8,5 | 8,5 | 7,5 | 12,6 12,6 | 78,0 | |
| 9 | 9,0 | 8,0 | 13,3 13,3 | 81,0 | |
| 10 | 10,0 | 8,5 | 14,0 14,0 | 87,5 | |

| PRIMED ProLine/ ProLine XT (cylindrical) Ø 85-93° STANDARD XT | | | | | |
|--|------------------|------------------|----------------------------------|-----------|-----------|
| Size | ID _{oc} | ID _{ic} | OD ₁ /OD ₂ | Length Ln | Length LB |
| 6 | 7,4 | 6,0 | 9,0 9,0 | 73 | 78 |
| 6 | 7,4 | 6,0 | 9,0 9,0 | 73 | 78 |
| 7 | 8,4 | 7,0 | 10,0 10,0 | 75 | 81 |
| 7 | 8,4 | 7,0 | 10,0 10,0 | 75 | 81 |
| 7 | 8,4 | 7,0 | 10,0 10,0 | 75 | 81 |
| 8 | 9,4 | 8,0 | 11,0 11,0 | 77 | 84 |
| 8 | 9,4 | 8,0 | 11,0 11,0 | 77 | 84 |
| 8 | 9,4 | 8,0 | 11,0 11,0 | 77 | 84 |
| 9 | 10,4 | 9,0 | 12,0 12,0 | 79 | 87 |
| 9 | 10,4 | 9,0 | 12,0 12,0 | 79 | 87 |
| 10 | 11,4 | 10,0 | 13,0 13,0 | 81 | 92 |
| 10 | 11,4 | 10,0 | 13,0 13,0 | 81 | 92 |
| 10 | 11,4 | 10,0 | 13,0 13,0 | 81 | 92 |

| TRACOE TWIST (conical) Ø 110-90° | | | | | |
|-------------------------------------|------------------|------------------|----------------------------------|-----------|-----------|
| Size | ID _{oc} | ID _{ic} | OD ₁ /OD ₂ | Length Ln | Length LB |
| 4 | 4,0 | | 8,6 7,2 | 59 | 63,0 |
| 4 | 4,0 | | 8,6 7,2 | 59 | 63,0 |
| 5 | 5,0 | | 10,1 8,6 | 66 | 73,0 |
| 6 | 6,3 | | 10,8 9,2 | 72 | 79,5 |
| 6 | 6,3 | | 10,8 9,2 | 72 | 79,5 |
| 7 | 7,0 | | 12,1 9,8 | 85 | 91 |
| 7 | 7,0 | | 12,1 9,8 | 85 | 91 |
| 7 | 7,0 | | 12,1 9,8 | 85 | 91 |
| 8 | 8,0 | | 13,1 10,8 | 92 | 102 |
| 8 | 8,0 | | 13,1 10,8 | 92 | 102 |
| 9 | 9,0 | | 14,2 12,5 | 98 | 108,5 |
| 9 | 9,0 | | 14,2 12,5 | 98 | 108,5 |
| 10 | 10,0 | | 15,2 13,8 | 105 | 116 |
| 10 | 10,0 | | 15,2 13,8 | 105 | 116 |

| TRACOE TWIST PLUS (conical) Ø 100° | | | | | |
|---------------------------------------|------------------|------------------|----------------------------------|-----------|-----------|
| Size | ID _{oc} | ID _{ic} | OD ₁ /OD ₂ | Length Ln | Length LB |
| 7 | 7,0 | | 10,1 9,8 | 85 | 91 |
| 7 | 7,0 | | 10,1 9,8 | 85 | 91 |
| 6 | 6,4 | | 10,8 10,8 | 74 | 76 |
| 6 | 6,4 | | 10,8 10,8 | 74 | 76 |
| 8 | 8,0 | | 11,1 10,8 | 88 | 95 |
| 8 | 8,0 | | 11,1 10,8 | 88 | 95 |
| 9 | 9,0 | | 12,1 11,8 | 90 | 99 |
| 9 | 9,0 | | 12,1 11,8 | 90 | 99 |
| 10 | 10,0 | | 13,1 12,8 | 92 | 102 |
| 10 | 10,0 | | 13,1 12,8 | 92 | 102 |
| 10 | 10,0 | | 13,1 12,8 | 92 | 102 |

| MEDTRONIC SHILEY (cylindrical) DCT/DFEN DCFs/DCFN LPC/FBN CFS/CFN | | | | | |
|--|------------------|------------------|----------------------------------|-----------|-----------|
| Size | ID _{oc} | ID _{ic} | OD ₁ /OD ₂ | Length Ln | Length LB |
| 4 | 5,0 | | 9,4 9,4 | 62 | 65 |
| 4 | 5,0 | | 9,4 9,4 | 62 | 65 |
| 6 | 6,4 | | 10,8 10,8 | 74 | 76 |
| 6 | 6,4 | | 10,8 10,8 | 74 | 76 |
| 6 | 6,4 | | 10,8 10,8 | 74 | 76 |
| 7 | 7,0 | | 11,1 10,8 | 81 | 81 |
| 7 | 7,0 | | 11,1 10,8 | 81 | 81 |
| 8 | 8,0 | | 12,2 12,2 | 88 | 91 |
| 8 | 8,0 | | 12,2 12,2 | 88 | 91 |
| 8 | 8,0 | | 12,2 12,2 | 88 | 91 |
| 10 | 10,0 | | 13,8 13,8 | 105 | 105 |
| 10 | 10,0 | | 13,8 13,8 | 105 | 105 |

| MEDTRONIC SHILEY (cylindrical) XLT | | | | | |
|---------------------------------------|------------------|------------------|----------------------------------|-----------|-----------|
| Size | ID _{oc} | ID _{ic} | OD ₁ /OD ₂ | Length Ln | Length LB |
| 5 | 5,0 | | 9,6 9,6 | 90 | |
| 6 | 6,0 | | 11,0 11,0 | 95 | |
| 6 | 6,0 | | 11,0 11,0 | 95 | |
| 7 | 7,0 | | 12,3 12,3 | 100 | |
| 7 | 7,0 | | 12,3 12,3 | 100 | |
| 8 | 8,0 | | 13,3 13,3 | 105 | |
| 8 | 8,0 | | 13,3 13,3 | 105 | |

TRACHEOSTOMY TUBES FOR ADULTS, WITH ADJUSTABLE NECK FLANGE

| PRIMED PRIFLEX® (cylindrical, spiral-reinforced) Ø 80-110° | | | | |
|---|------|----------------------------------|-----------|-----------|
| Size | ID | OD ₁ /OD ₂ | Length Ln | Length LB |
| 6 | 6,0 | 9,4 9,4 | 69 | |
| 7 | 7,0 | 10,4 10,4 | 69 | |
| 7 | 7,0 | 10,4 10,4 | 69 | |
| 7 | 7,0 | 10,4 10,4 | 69 | |
| 8 | 8,0 | 11,4 11,4 | 96 | |
| 8 | 8,0 | 11,4 11,4 | 96 | |
| 9 | 9,0 | 12,4 12,4 | 122 | |
| 9 | 9,0 | 12,4 12,4 | 122 | |
| 10 | 10,0 | 13,4 13,4 | 122 | |
| 10 | 10,0 | 13,4 13,4 | 122 | |
| 11 | 11,0 | 14,4 14,4 | 123 | |

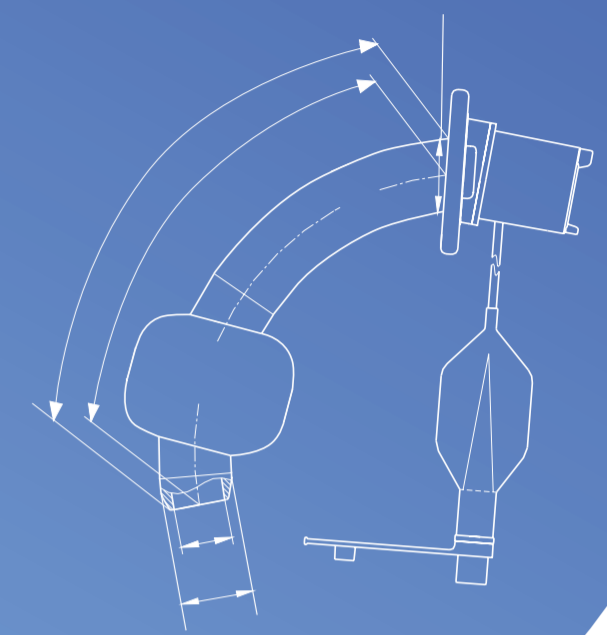
| PRIMED PRIFLEX® SUCTION (cylindrical, spiral-reinforced) Ø 80-110° | | | | |
|---|------|----------------------------------|-----------|-----------|
| Size | ID | OD ₁ /OD ₂ | Length Ln | Length LB |
| 6 | 6,0 | 9,4 9,4 | 69 | |
| 7 | 7,0 | 10,4 10,4 | 69 | |
| 7 | 7,0 | 10,4 10,4 | 69 | |
| 7 | 7,0 | 10,4 10,4 | 69 | |
| 8 | 8,0 | 11,4 11,4 | 96 | |
| 8 | 8,0 | 11,4 11,4 | 96 | |
| 9 | 9,0 | 12,4 12,4 | 122 | |
| 9 | 9,0 | 12,4 12,4 | 122 | |
| 10 | 10,0 | 13,4 13,4 | 122 | |
| 10 | 10,0 | 13,4 13,4 | 122 | |
| 11 | 11,0 | 14,4 14,4 | 123 | |

| PRIMED PRIFLEX® MRI (cylindrical, metal-free spiral reinforcement) Ø 80-110° | | | | |
|---|------|----------------------------------|-----------|-----------|
| Size | ID | OD ₁ /OD ₂ | Length Ln | Length LB |
| 6 | 6,0 | 8,9 8,9 | 70 | |
| 6 | 6,0 | 8,9 8,9 | 70 | |
| 7 | 7,0 | 9,9 9,9 | 80 | |
| 7 | 7,0 | 9,9 9,9 | 80 | |
| 7 | 7,0 | 9,9 9,9 | 80 | |
| 7 | 7,0 | 9,9 9,9 | 80 | |
| 8 | 8,0 | 10,9 10,9 | 100 | |
| 8 | 8,0 | 10,9 10,9 | 100 | |
| 9 | 9,0 | 11,9 11,9 | 120 | |
| 9 | 9,0 | 11,9 11,9 | 120 | |
| 10 | 10,0 | 12,9 12,9 | 130 | |
| 10 | 10,0 | 12,9 12,9 | 130 | |
| 11 | 11,0 | 13,9 13,9 | 130 | |

| TRACOE VARIO (cylindrical, with and without spiral reinforcement) Ø 100° | | | | |
|---|------|----------------------------------|-----------|-----------|
| Size | ID | OD ₁ /OD ₂ | Length Ln | Length LB |
| 6 | 6,0 | 8,2 8,2 | 70 | 76 |
| 6 | 6,0 | 8,2 8,2 | 70 | 76 |
| 7 | 7,0 | 9,7 9,7 | 80 | 86 |
| 7 | 7,0 | 9,7 9,7 | 80 | 86 |
| 8 | 8,0 | 11,2 11,2 | 90 | 97 |
| 8 | 8,0 | 11,2 11,2 | 90 | 97 |
| 9 | 9,0 | 12,3 12,3 | 100 | 106 |
| 9 | 9,0 | 12,3 12,3 | 100 | 106 |
| 10 | 10,0 | 13,7 13,7 | 110 | 120 |
| 10 | 10,0 | 13,7 13,7 | 110 | 120 |
| 11 | 11,0 | 14,8 14,8 | 110 | 121 |

Primed®

Size Chart
for tracheostomy tubes



INSTRUCTIONS FOR USE:

This size chart serves as an overview of the common tracheostomy tubes and should assist in selecting a suitable model.

The chart can provide a first indication, but needs to be matched with the individual requirements of the patient (for example concerning size and shape). Thus in a particular case, a larger or smaller tube could be more suitable.

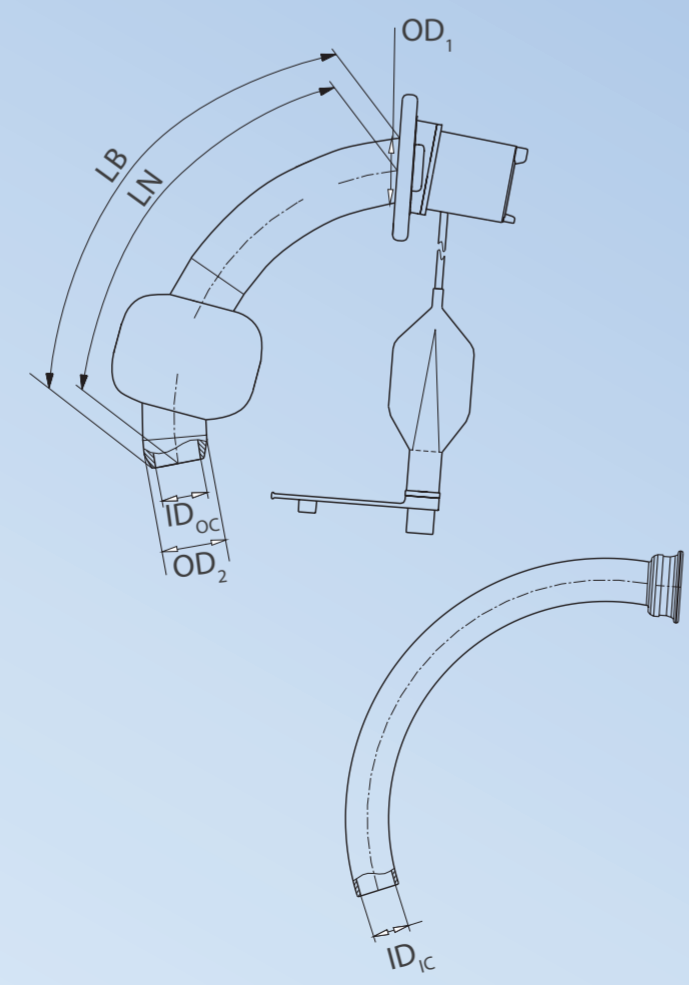
HOW IT WORKS:

Start by searching the table for the tube size, which the patient is currently using (e.g. Smith Medical, Portex, Blue Line Ultra, size 7). Then, proceed horizontally in the table until you get to the model, which should be used in the future. This model has the equivalent size and is arranged in the same line (for example Primed, Optima, Size 7).

ABBREVIATIONS:

- ID_{oc} = Inside diameter at the bottom of the outer cannula
- ID_{ic} = Inside diameter at the bottom of the inner cannula
- (If only ID is mentioned, no inner cannulas are existing)*
- OD₁ = Outside diameter of the outer cannula behind the flange
- OD₂ = Outside diameter at the bottom of the outer cannula
- LN = Length along centre line of the outer cannula from neck flange to bottom of the tube
- LB = Length along outer bend of the outer cannula from neck flange to bottom of the tube
- Ø = Bending angle of outer cannula

Each manufacturer indicates different dimensions, therefore, for example, the length specifications of the different tubes can vary. Please note the markings!



Primed® HALBERSTADT
MEDIZINTECHNIK GMBH
STRASSE DES 20. JULI 1
D-38820 HALBERSTADT
Phone: 0049-(0)3941-668-6
Fax: 0049-(0)3941-24565
www.primed-halberstadt.de
primed@primed-halberstadt.de