

## Tracoe Comfort XL Tracheostomy tube

### Product Description

Tracoe Comfort tracheostomy tubes are handmade long-lasting tubes and are made of transparent, thermo-sensitive plastic. They allow tracheotomized patients a comfortable wearing. The discreet appearance and the light weight based on the used materials of the tracheostomy tubes also contribute to this. All tube types are available in many different sizes and designs. This variety makes it easier to choose the right tracheostomy tube for the patient's anatomy.



### General Information

Product line	Comfort XL
Legal manufacturer	Tracoe Medical GmbH Reichelsheimer Str. 1/3 55268 Nieder-Olm, Germany
Country of origin	Germany
Handling	
Shelf life	5 years, from date of production
Maximum Useful Life	29 days, up to 6 months

### Packaging

Packaging unit	1 piece
Dimensions (W x H x L)	80 x 39 x 144 mm
Material outer packaging:	Cardboard box
Material primary packaging:	Polysnap-Bag

### Material Specifications

Material Outer cannula	Polyvinyl chloride
Material Neck Flange	PVC
Material Speaking Valve*	PVC, Silver
Biocompatibility	EN ISO 10993-1

### Storage



### Certification

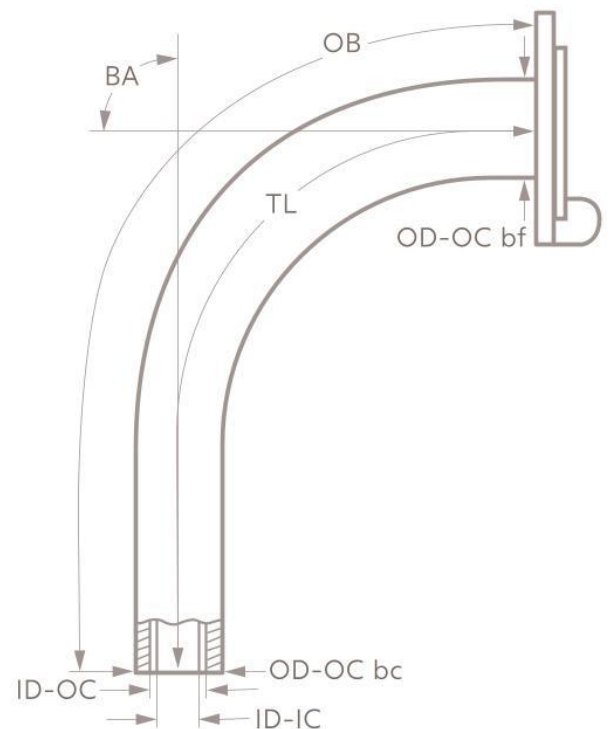
Product classification acc. MDR	IIb
CE Marking	
GMDN	38792
Quality system certified to	EN ISO 13485
FDA registration	K781729/D020883

## Product Range

Size	ID-IC mm	OD-OC bc mm	OD-OC bf mm	ID-IC mm	TL mm	OB mm	BA °
05	5,0	6,6	9,0	4,0	85	90	90
06	6,0	7,7	9,8	5,0	87	95	90
07	7,0	8,7	10,5	6,0	93	100	90
08	8,0	10,5	12,2	6,7	96	105	90
09	9,0	11,5	13,0	7,5	100	110	90
10	10,0	12,5	14,5	8,8	104	115	90
11	11,0	13,5	15,5	9,2	108	120	90
12	12,0	14,4	16,4	10,0	112	125	90
13	13,0	15,4	18,0	11,8	116	130	90
14	14,0	16,4	18,2	12,6	122	135	90

## Legend

- ID-IC** Inside diameter at bottom of inner cannula
- OD-OC bc** Outside diameter at bottom of outer cannula
- OD-OC bf** Outside diameter of outer cannula behind the flange
- TL** Length along centre line from start of neck flange to bottom of tube
- OB** Length along outer bend from start of neck flange to bottom of tube
- BA** Bending angle
- CD** Cuff diameter



REF. no	Product name	Sizes	Scope of Supply
REF 202	Tracoe Comfort XL Non-Fen	05-12	1 inner cannula with low profile Neck strap
REF 202-D	Tracoe Comfort XL Non-Fen	05-12	2 inner cannulas with low profile Neck strap
REF 203	Tracoe Comfort XL Fen Type A	05-12	1 inner cannula with speaking valve Type A* Fen 1 inner cannula with low profile Neck strap
REF 203-A	Tracoe Comfort XL Fen Type A	05-12	1 inner cannula with speaking valve Type A* Fen 1 inner cannula with low profile 1 inner cannula with 15 mm connector Neck strap
REF 203-O	Tracoe Comfort XL Fen Type A	05-12	1 inner cannula with speaking valve Type A* and O2 port Fen 1 inner cannula with low profile Neck strap
REF 204	Tracoe Comfort XL Fen Type B	05-12	1 inner cannula with speaking valve Type B* Fen 1 inner cannula with low profile Neck strap
REF 204-A	Tracoe Comfort XL Fen Type B	05-12	1 inner cannula with speaking valve Type B* Fen 1 inner cannula with low profile 1 inner cannula with 15 mm connector Neck strap
REF 204-A-O	Tracoe Comfort XL Fen Type B	05-12	1 inner cannula with speaking valve Type B* and O2 port Fen 1 inner cannula with low profile 1 inner cannula with 15 mm connector Neck strap
REF 205-1*	Tracoe Comfort XL Non-Fen	05-12	1 inner cannulas with 15 mm connector Neck strap
REF 205-2	Tracoe Comfort XL Non-Fen	05-12	1 inner cannula with 15 mm connector Neck strap
REF 214	Tracoe Comfort XL Fen Type B	05-12	1 inner cannula with speaking valve Type B* Fen 1 inner cannula with 15 mm connector Neck strap
REF 215-2	Tracoe Comfort XL Fen	05-14	1 inner cannula with 15 mm connector 1 inner cannula with 15 mm connector Fen Neck strap

\*-1 means locking hook at the top



Tracoe Medical GmbH,  
Reichelsheimer Str. 1 / 3,  
55268 Nieder-Olm  
Germany



Breathing-Speaking-Living

Atos Medical AB  
Hyllie Boulevard 17  
215 32 Malmö  
Sweden  
[www.atosmedical.com](http://www.atosmedical.com)