

## Tracoe Comfort Plus Tracheostomy tube

### Product Description

Tracoe Comfort tracheostomy tubes are handmade long-lasting tubes and are made of transparent, thermo-sensitive plastic. They allow tracheotomized patients a comfortable wearing. The discreet appearance and the light weight based on the used materials of the tracheostomy tubes also contribute to this. All tube types are available in many different sizes and designs. This variety makes it easier to choose the right tracheostomy tube for the patient's anatomy.



### General Information

Product line	Comfort Plus
Legal manufacturer	Tracoe Medical GmbH Reichelsheimer Str. 1/3 55268 Nieder-Olm, Germany
Country of origin	Germany
Handling	
Shelf life	5 years, from date of production
Maximum Useful Life	29 days, up to 6 months

### Packaging

Packaging unit	1 piece
Dimensions (W x H x L)	80 x 39 x 144 mm
Material outer packaging:	Cardboard box
Material primary packaging:	Polysnap-Bag

### Material Specifications

Material Outer cannula	Polyvinyl chloride
Material Neck Flange	PVC
Material Speaking Valve*	PVC, Silver
Biocompatibility	EN ISO 10993-1



### Storage



### Certification

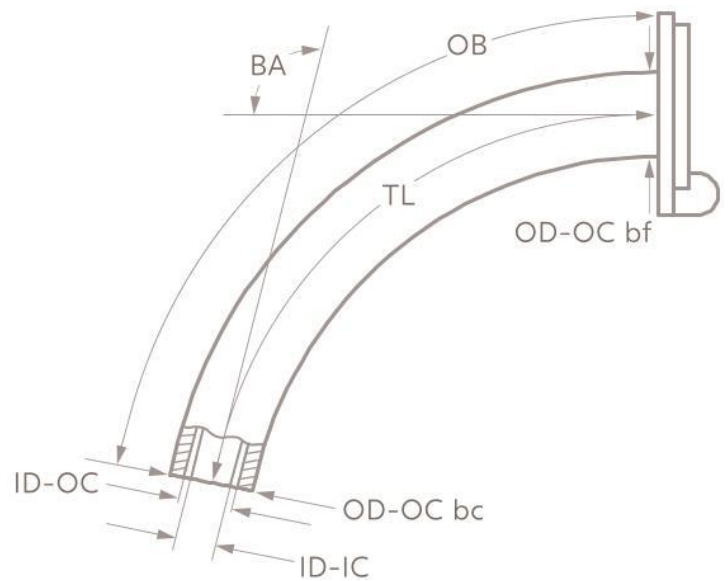
Product classification acc. MDR	IIb
CE Marking	
GMDN	38792
Quality system certified to	EN ISO 13485
FDA registration	K781729/D02083

## Product Range

Size	ID-IC	OD-OC bc	OD-OC bf	ID-IC	TL	OB	BA
	mm	mm	mm	mm	mm	mm	°
07	7,0	8,8	10,5	5,8	81	87	100
08	8,0	10,2	11,3	6,8	84	91	100
09	9,0	11,6	12,6	7,6	86	94	100
10	10,0	12,0	13,7	8,7	88	97	100
11	11,0	13,5	15,0	9,7	91	91	100

## Legend

- ID-IC** Inside diameter at bottom of inner cannula
- OD-OC bc** Outside diameter at bottom of outer cannula
- OD-OC bf** Outside diameter of outer cannula behind the flange
- TL** Length along centre line from start of neck flange to bottom of tube
- OB** Length along outer bend from start of neck flange to bottom of tube
- BA** Bending angle
- CD** Cuff diameter



REF. no	Product name	Sizes	Scope of supply
REF 157	Tracoe Comfort Plus Fen	05-12	1 inner cannula with 15 mm connector 1 inner cannula with 22 mm connector Fen Neck strap
REF 158	Tracoe Comfort Plus Fen Type B	05-12	1 inner cannula with speaking valve Type B* Fen 1 inner cannula with 22 mm connector Fen Neck strap
REF 164	Tracoe Comfort Plus Fen Type B	05-12	1 inner cannula with speaking valve Type B* Fen 1 inner cannula with 15 mm connector Neck strap



Tracoe Medical GmbH,  
Reichelsheimer Str. 1 / 3,  
55268 Nieder-Olm  
Germany



Breathing-Speaking-Living

Atos Medical AB  
Hyllie Boulevard 17  
215 32 Malmö  
Sweden  
[www.atosmedical.com](http://www.atosmedical.com)